

Telco DAS Omnidirectional Ceiling Antenna - 700-3800MHz

SKU: DAS-7-38-C-N

- Wideband Frequency Support – 2G, 3G, 4G & 5G
- High Gain
- RoHS Compliant
- High quality ABS construction

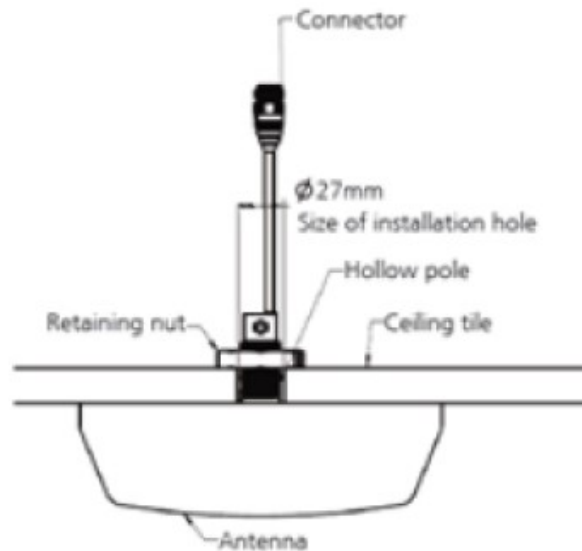


Electrical Specifications

Frequency Range	698-800MHz / 800-960MHz / 1710-2700MHz / 3300-3800MHz
Polarization	Vertical
Gain	3dBi / 4dBi / 5dBi / 4dBi
VSWR	≤1.8:1
Horizontal Beamwidth	90° / 85° / 65° / 55°
Input Impedance	50 Ω
Max Power	50 W

Mechanical Specifications

Construction Material	ABS Plastic
Connector Type	N Female
Dimensions	208 x 13mm (Ø x H)
Weight	600g
Operating Temperature	-30°C +°55C
Colour	White



Installation Guide:

1. Drill a 33-35mm \varnothing Hole in the Ceiling
2. Connect the N Female Connector to the N Male on the end of the Cable/Adaptor.
3. Install the Antenna as shown in the picture above and tighten the nuts.