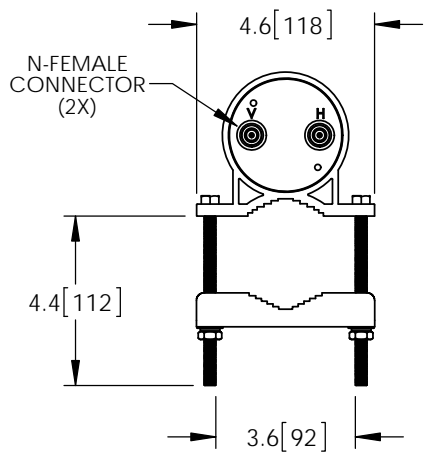
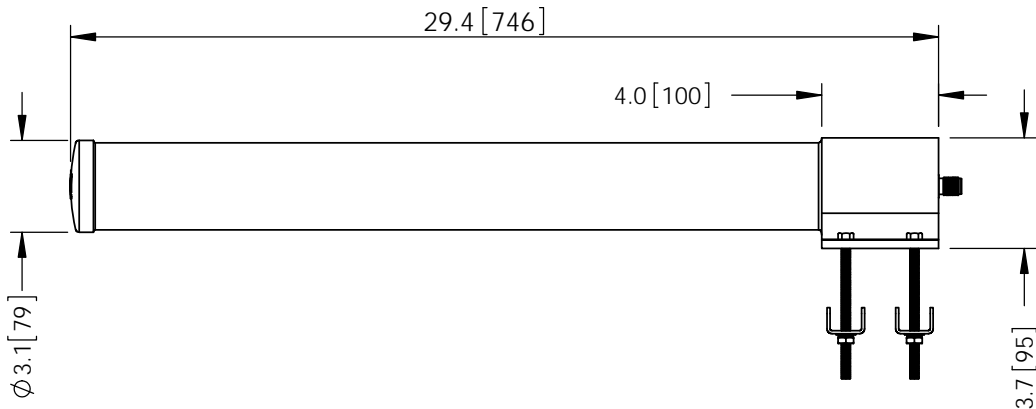
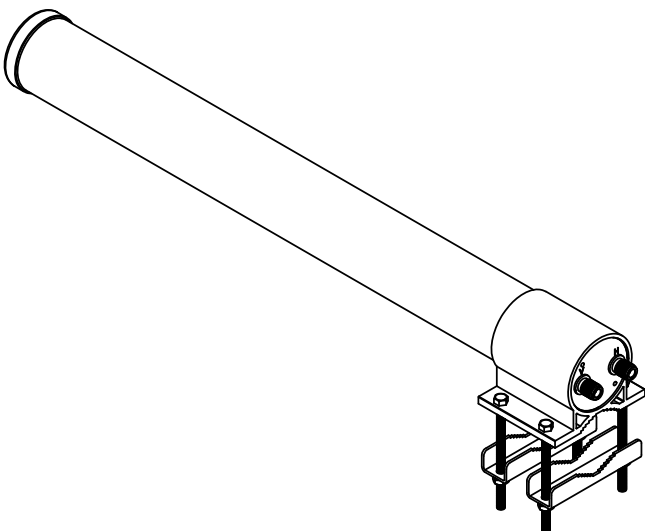
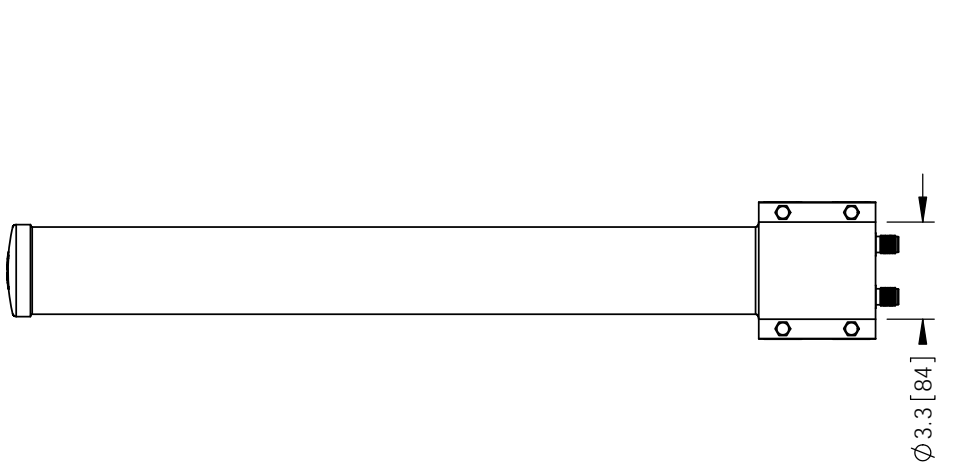


THE INFORMATION CONTAINED IN THIS DRAWING IS THE SOLE PROPERTY OF L-COM, INC. ANY REPRODUCTION IN PART OR WHOLE WITHOUT THE WRITTEN PERMISSION OF L-COM, INC. IS PROHIBITED.

| REVISIONS | | | |
|-----------|-----------------|----------|-------------|
| REV | DESCRIPTION | DATE | APPROVED |
| A | INITIAL RELEASE | 11/02/16 | D.FRISIELLO |
| | | | |
| | | | |



NOTES:
PACKAGING:
 COMPONENT SHALL BE PACKAGED IN ACCORDANCE WITH L-COM SPEC PKG-00087.

- ALL DIMENSIONS FOR REFERENCE -

REGULATORY COMPLIANCE:
 CE2011/65/EU(RoHS DIRECTIVE)

| | | | | | | |
|--|--|------------------|---|--------------------------------|--|------------------|
| UNLESS OTHERWISE SPECIFIED, DIMENSIONS ARE IN INCHES [mm] DIMENSIONAL TOLERANCES: .X = ±.1 [2.54] .XX = ±.01 [.25] .XXX = ±.005 [.13] ANGULAR TOLERANCES: ALL = ± 1° PROJECTION | APPROVALS B.PUCHASKI | DATE 11/02/16 | | | 50 HIGH STREET NORTH ANDOVER, MA 01845 | |
| | CHECKED BY P.PESA | 11/02/16 | CATEGORY ANTENNA | | | |
| | APPROVED BY P.PESA | 11/02/16 | PRODUCT DESCRIPTION 2.4/5.8GHz 6dBi DUAL POLARITY OMNI ANTENNA W/ N-FEMALE CONNECTORS | | | |
| | CONFIGURATION DETAILS OF UNDIMENSIONED FEATURES MAY VARY | | SIZE A | FSCM NO. 43321 | DWG. NO. HG2458-06DPU2 | REV. A |
| COLOR VARIATIONS MAY OCCUR | | SCALE: NONE | | CAD FILE: HG2458-06DPU2.SLDDRW | | |
| | | | SHEET 1 OF 1 | | | |