

PRODUCT DATA SHEET

Phaseblocker N Male to N Female Bulkhead Lightning Arrester - 6GHz

LA-NMF-6GHZ

Gas tube lightning protection with excellent VSWR and superior RF performance characteristics for equipment operating DC to 6GHz with up to 90W RF power. Male to Female arresters are designed for installation in-line between an antenna and feeder cable. By installing at the tower-top position, this arrester helps protect not only the end user equipment, but the cabling itself. When feeder lengths exceed 10-15m vertically a second arrester is recommended at the equipment end of the cable to protect against parasitic coupling.

Electrical Specifications

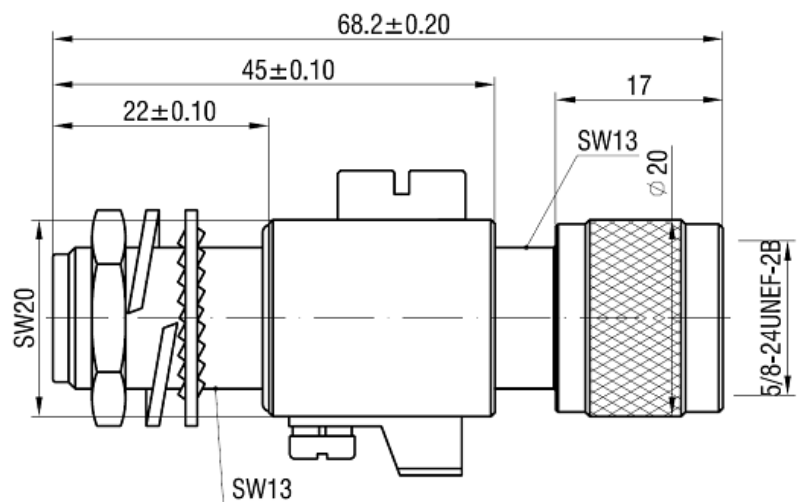
Frequency Range: DC - 6GHz
 Input Impedance: 50Ω
 VSWR: <1.2:1 DC-6GHz
 Insertion Loss: <0.4dB DC-6GHz
 Return Loss: >26dB
 Power Rating: 0-40W
 Sparkover Voltage: <90VDC
 Voltage protection level @ 3kA (8/20us): <600V
 Maximum Discharge Current: 10kA¹
 Maximum Operating Current: 10A



Mechanical/Environmental

Construction: Nickel plated brass
 Durability: >500 cycles
 Connector: N Male to N Female Bulkhead
 Temperature: -40 to +155°C
 Humidity: 5 to 95% non-condensing
 Environmental Protection Level: IP55
 Weight: 155g
 Dimensions: 64 x 26mm (L x Ø)
 IEC 60169-16

1. @ IEC 61000-4-5 8/20µs waveform



RECOMMENDED MOUNTING DIMENSIONS

