

SKU: XFIRE-23DP-5800

Telco XFIRE 23dBi Ultra High Performance Solid Dish - 5.25-5.85GHz

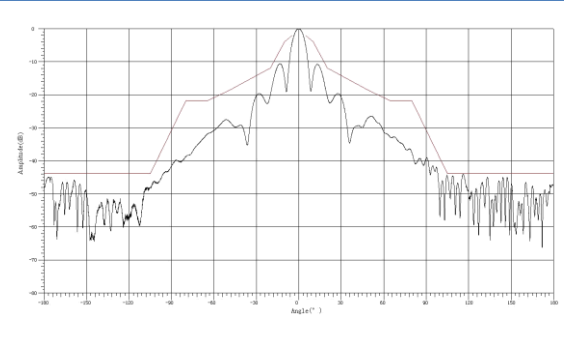
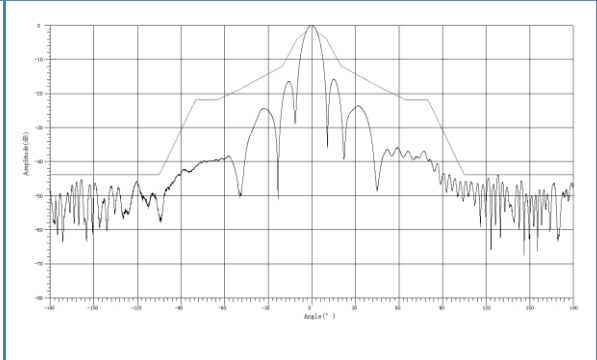
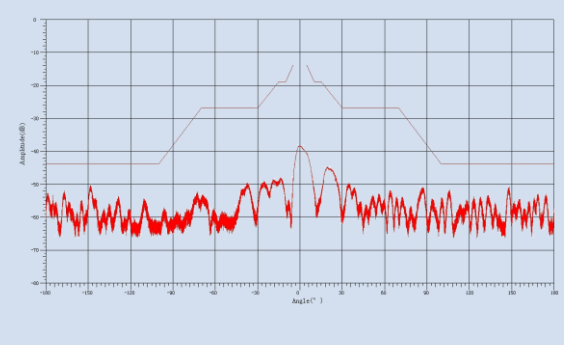
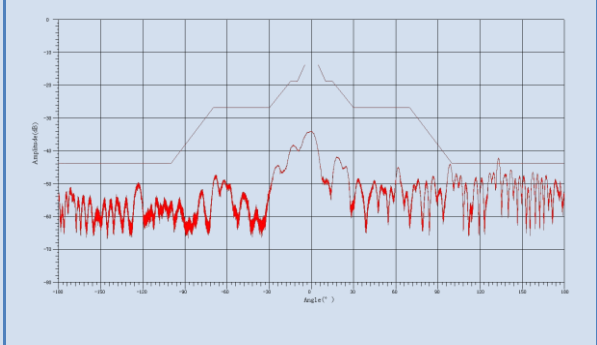
- Dual-polarised antenna feed w/ high XPD
- ETSI Range 1 Class 2
- Carrier grade aluminium alloy construction
- 0.3m (1ft) single reflector dish
- Inbuilt ABS radome
- 15° fine az/el adjustment
- Extreme 44dB F/B ratio
- Critical backbone/backhaul
- Ideal for high noise metro and urban short-medium range links.



This is an ultra-high performance 0.3m (1ft) 5GHz microwave dish, designed for high capacity fixed radio systems requiring ETSI Class 2 (high interference potential) compliance.

Having an ultra-tight V&H beamwidth and an unparalleled >44dB F/B ratio gives this antenna an incredible degree of noise immunity from nearby hostile interferers and collocated transmitters. This deep-dish antenna is ideal for point-to-point communications in urban and metro environments where despite the short link distance data rates are poor due to the high 5GHz noise floor. The small 0.3m form factor makes the antenna perfect for installations requiring low wind-load or low visual impact while maintaining very high performance.

See below for electrical & mechanical specification data.

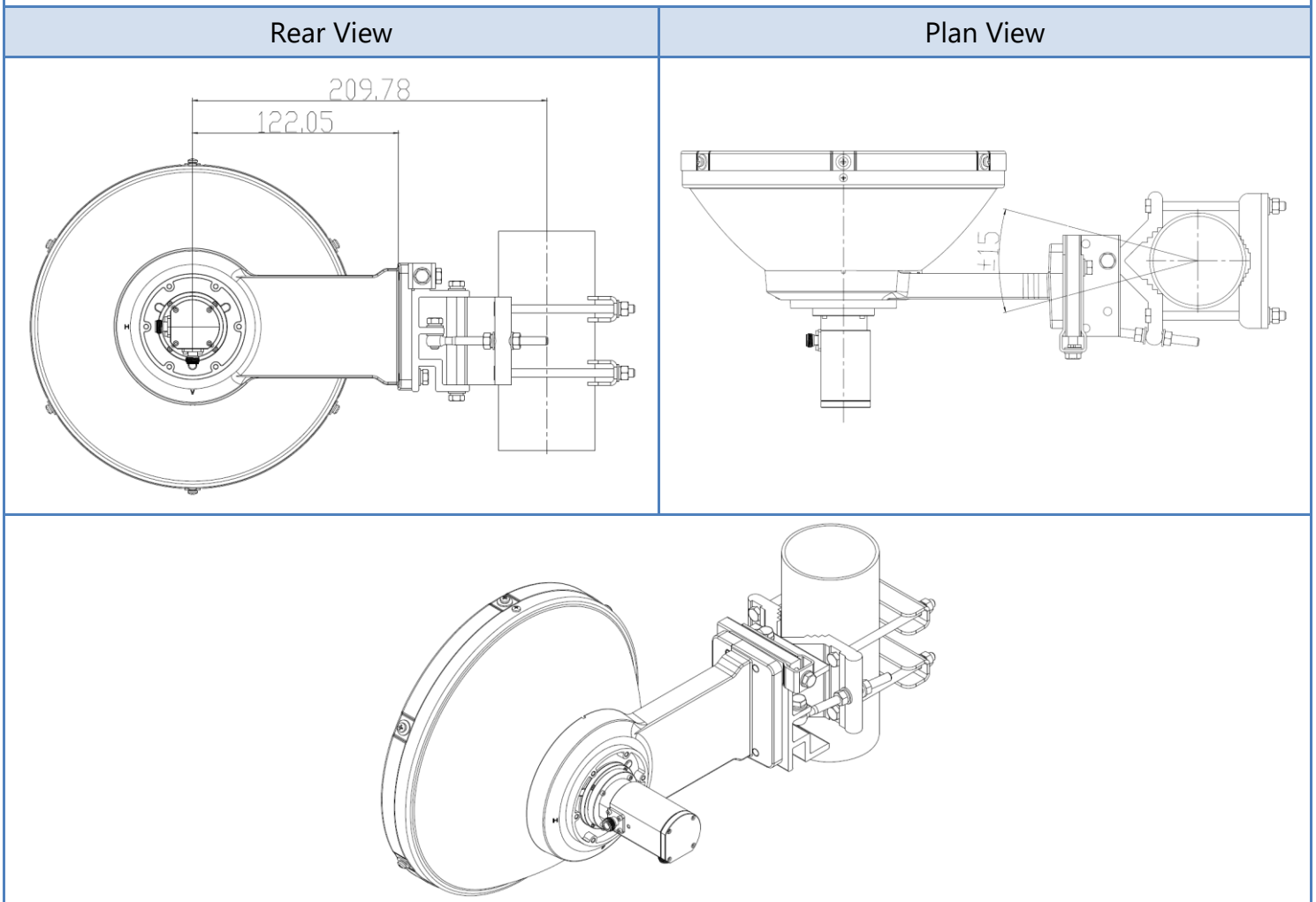
Electrical Specifications		
Frequency Range:	5250-5850MHz	
Input Impedance:	50Ω	
VSWR:	<1.8:1	
Polarisation:	V & H	
Vertical Beamwidth:	9° (± 1°)	
Horizontal Beamwidth:	9° (± 1°)	
Front to Back Ratio:	>44dB	
XPD Discrimination:	>30dB	
Port Isolation	>35dB	
PIM IMD (3rd Order):	N/A	
Radiation:	Directional	
Compliance:	ETSI EN 302 217-4-2 Range 1 Class 2	
Radiation Patterns	Vertical Polarity	Horizontal Polarity
Co Pol (5850MHz):		
Cross Pol (5850MHz):		

Test Item	Technical Requirement	Unit	Tested Frequency	Result	
				V	H
Frequency Range	5250-5850	MHz	Whole frequency band	5250-5850	
3dB Beamwidth	9 (± 1)	°	5250MHz	9.28	9.96
			5550MHz	8.44	9.93
			5850MHz	7.79	9.31
VSWR	<1.8:1	-	-	1.78	1.59
Front to Back Ratio	≥35	dB	5250MHz	43.74	44.25
			5550MHz	44.03	48.59
			5850MHz	44.88	45.26
XPD	>30	dB	5250MHz	39.92	35.19
			5550MHz	31.91	40.30
			5850MHz	38.26	33.98
Gain	16	dBi	5250MHz	23.18	22.90
			5550MHz	23.64	23.40
			5850MHz	24.05	23.90

Mechanical/Environmental Specifications

Construction:	ABS Radome, One-Piece Aluminium Reflector, Aluminium Bracket, Galvanised U-Bolts		
Cable:	none		
Connector:	2x N-Type Female (Low-PIM White Bronze)		
Operational Wind Rating:	162km/hr		
Survival Wind Rating:	250km/hr		
Wind Forces @ Survival:	FA: 430N	FS: 235N	MT: 180Nm
Operational Temperature:	-45°C +75°C		
Ice-Load:	25.4mm		
Weight:	8.2kg		
Weight with Ice:	15.0kg		
Dimensions:	420 x 135 x 45mm (L x W x D)		
Mounting	51-114mm Ø pole		

CAD Drawing



Document Control: TA-SS-XFIRE-23DP-5800_rev1

Revision Date: 06/06/2016

Telco Antennas makes no warranty on the completeness or accuracy of this document. For all enquiries related to this document please contact our Australian sales office by email sales@telcoantennas.com.au