

SKU: XFIRE-28DP-5800**Telco XFIRE 28dBi Ultra High Performance Solid Dish - 5.25-5.85GHz**

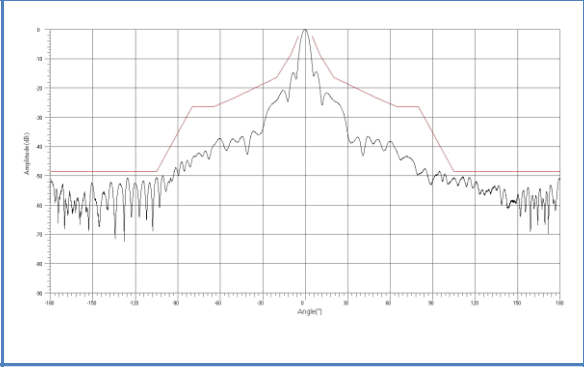
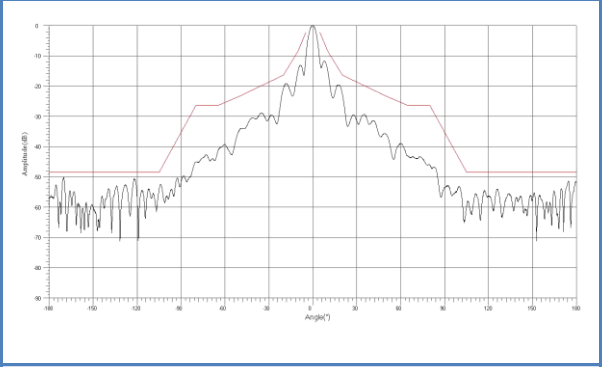
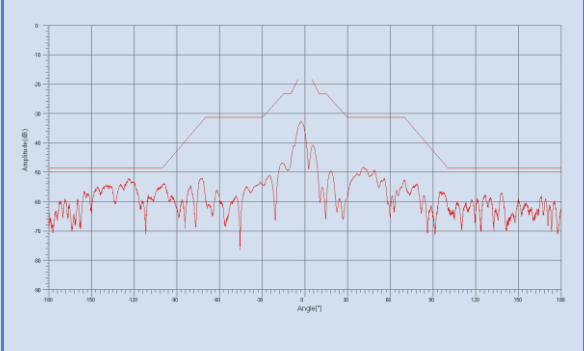
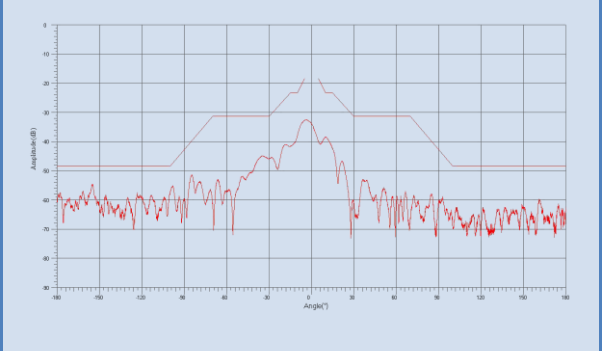
- Dual-polarised antenna feed w/ high XPD
- ETSI Range 1 Class 2
- Carrier grade aluminium alloy construction
- 0.6m (2ft) single reflector dish
- Inbuilt ABS radome
- 15° fine az/el adjustment
- Extreme 48dB F/B ratio
- Critical backbone/backhaul
- Ideal for high noise environments, long range links.



This is an ultra-high performance 0.6m (2ft) 5GHz microwave dish, designed for high capacity fixed radio systems requiring ETSI Class 2 (high interference potential) compliance.

Having an ultra-tight V&H beamwidth and an unparalleled >48dB F/B ratio gives this antenna an incredible degree of noise immunity from nearby hostile interferers and collocated transmitters. While in short range communications, smaller form-factor equipment can be deployed, this can leave the link susceptible to interference and reduced throughput due to link adaptation. Another concern is causing channel pollution (observed as a rise in noise floor at other APs/stations), particularly when the transmitter is tower or rooftop mounted.

See below for electrical & mechanical specification data.

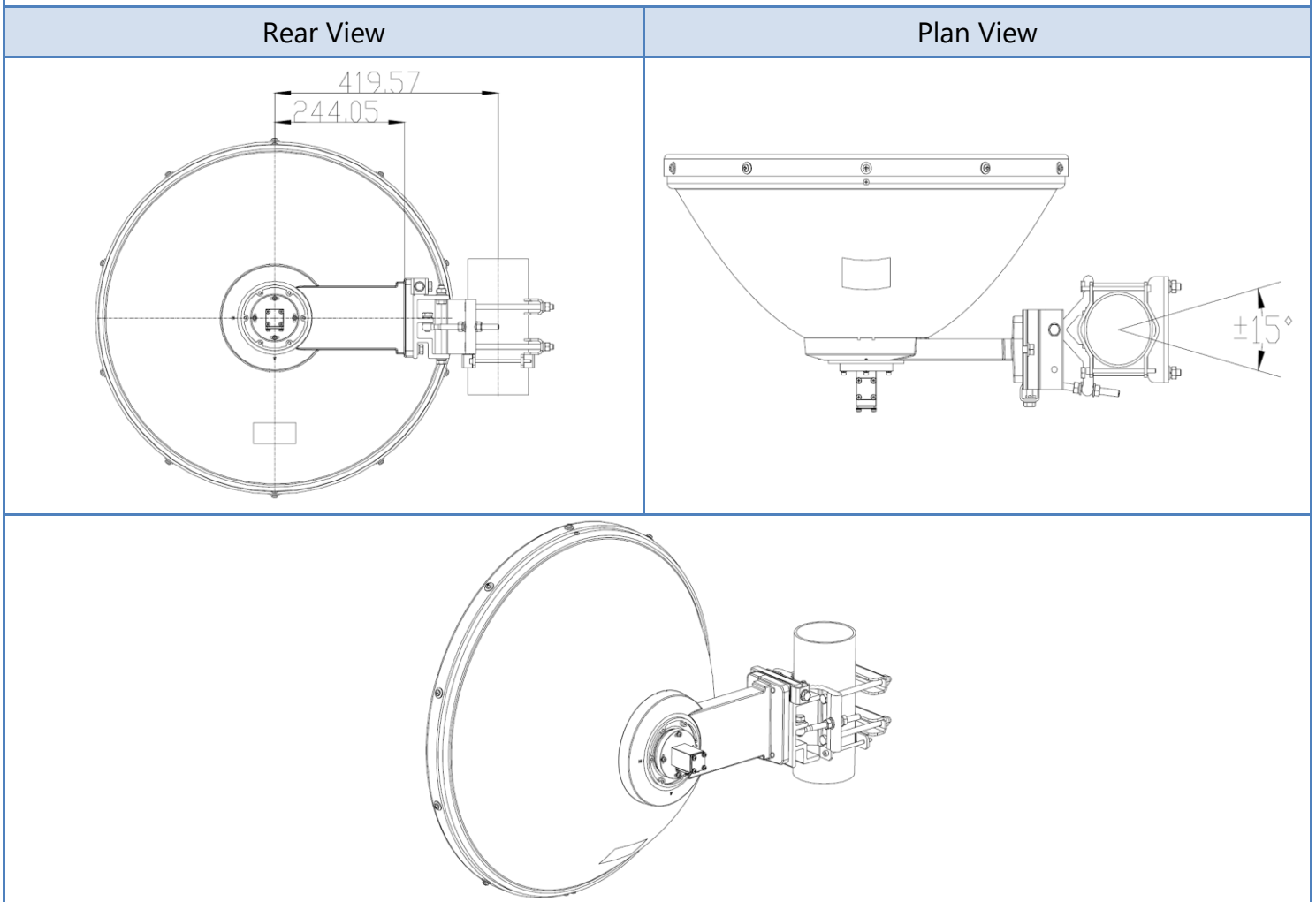
Electrical Specifications		
Frequency Range:	5250-5850MHz	
Input Impedance:	50Ω	
VSWR:	<1.5:1	
Polarisation:	V & H	
Vertical Beamwidth:	6° (± 1°)	
Horizontal Beamwidth:	6° (± 1°)	
Front to Back Ratio:	>48dB	
XPD Discrimination:	>30dB	
Port Isolation	>35dB	
PIM IMD (3rd Order):	N/A	
Radiation:	Directional	
Compliance:	ETSI EN 302 217-4-2 Range 1 Class 2	
Radiation Patterns	Vertical Polarity	Horizontal Polarity
Co Pol (5850MHz):		
Cross Pol (5850MHz):		

Test Item	Technical Requirement	Unit	Tested Frequency	Result	
				V	H
Frequency Range	5250-5850	MHz	Whole frequency band	5250-5850	
3dB Beamwidth	6 (± 1)	°	5250MHz	5.97	6.01
			5550MHz	6.02	6.06
			5850MHz	5.35	5.26
VSWR	<1.5:1	-	-	1.42	1.42
Front to Back Ratio	≥35	dB	5250MHz	54.78	51.62
			5550MHz	53.96	53.25
			5850MHz	50.88	50.29
XPD	>30	dB	5250MHz	31.98	32.53
			5550MHz	33.94	33.51
			5850MHz	32.46	32.55
Gain	28	dBi	5250MHz	27.4	27.4
			5550MHz	27.9	27.9
			5850MHz	28.4	28.4

Mechanical/Environmental Specifications

Construction:	ABS Radome, One-Piece Aluminium Reflector, Aluminium Bracket, Galvanised U-Bolts		
Cable:	none		
Connector:	2x N-Type Female (Low-PIM White Bronze)		
Operational Wind Rating:	162km/hr		
Survival Wind Rating:	250km/hr		
Wind Forces @ Survival:	FA: 1055N	FS: 679N	MT: 443Nm
Operational Temperature:	-45°C +75°C		
Ice-Load:	25.4mm		
Weight:	13.9kg		
Weight with Ice:	18.4kg		
Dimensions:	755.8 x 672.6 x 380.88mm (L x H x D)		
Mounting	51-114mm Ø pole		

CAD Drawing



Document Control: TA-SS-XFIRE-28DP-5800_rev1

Revision Date: 06/06/2016

Telco Antennas makes no warranty on the completeness or accuracy of this document. For all enquiries related to this document please contact our Australian sales office by email sales@telcoantennas.com.au