

**SKU: XFIRE-31DP-5800**

## Telco XFIRE 31dBi Ultra High Performance Solid Dish - 5.25-5.85GHz

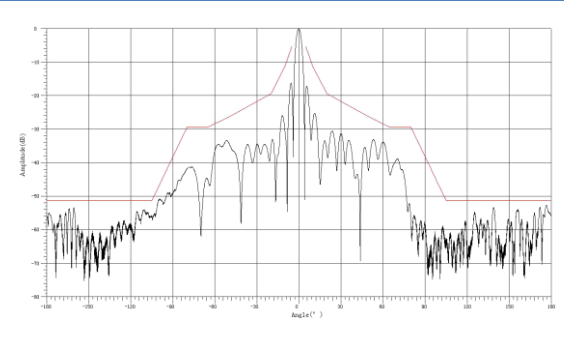
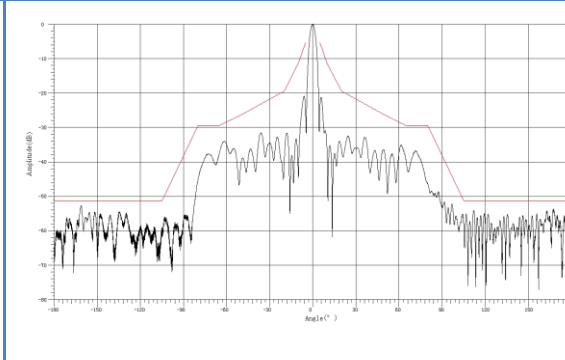
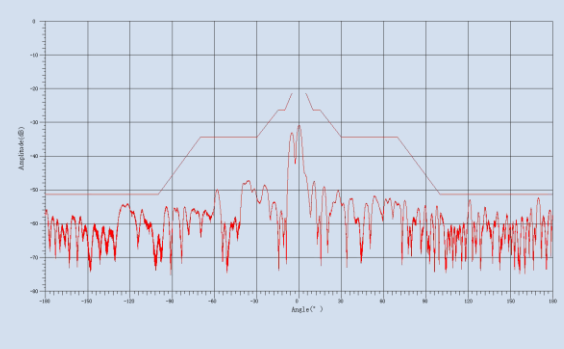
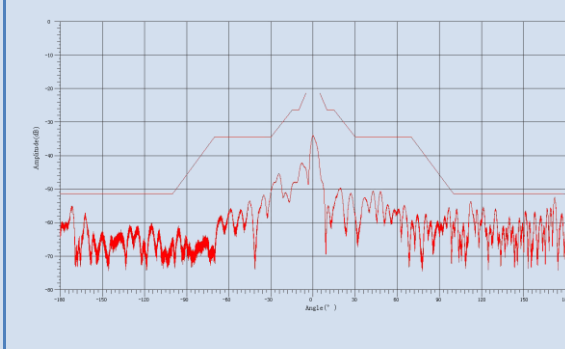
- Dual-polarised antenna feed w/ high XPD
- ETSI Range 1 Class 2
- Carrier grade aluminium alloy construction
- 0.9m (3ft) single reflector dish
- Inbuilt ABS radome
- 20° fine az/el adjustment
- Extreme 52dB F/B ratio
- Critical backbone/backhaul
- Ideal for high noise urban medium range, and remote long range links.



This is an ultra-high performance 0.9m (3ft) 5GHz microwave dish, designed for high capacity fixed radio systems requiring ETSI Class 2 (high interference potential) compliance.

Having an ultra-tight V&H beamwidth and an unparalleled >52dB F/B ratio gives this antenna an incredible degree of noise immunity from nearby hostile interferers and collocated transmitters. This very high gain dish is designed for long range links (15-60km), and medium range links operating in high interference potential environments such as across urban and suburban areas.

See below for electrical & mechanical specification data.

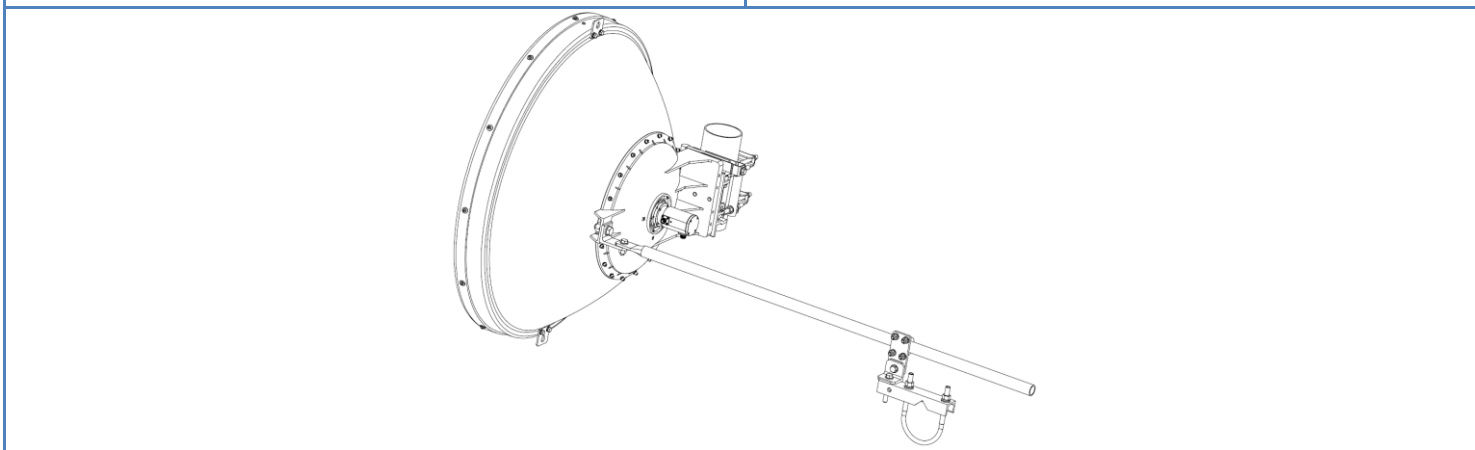
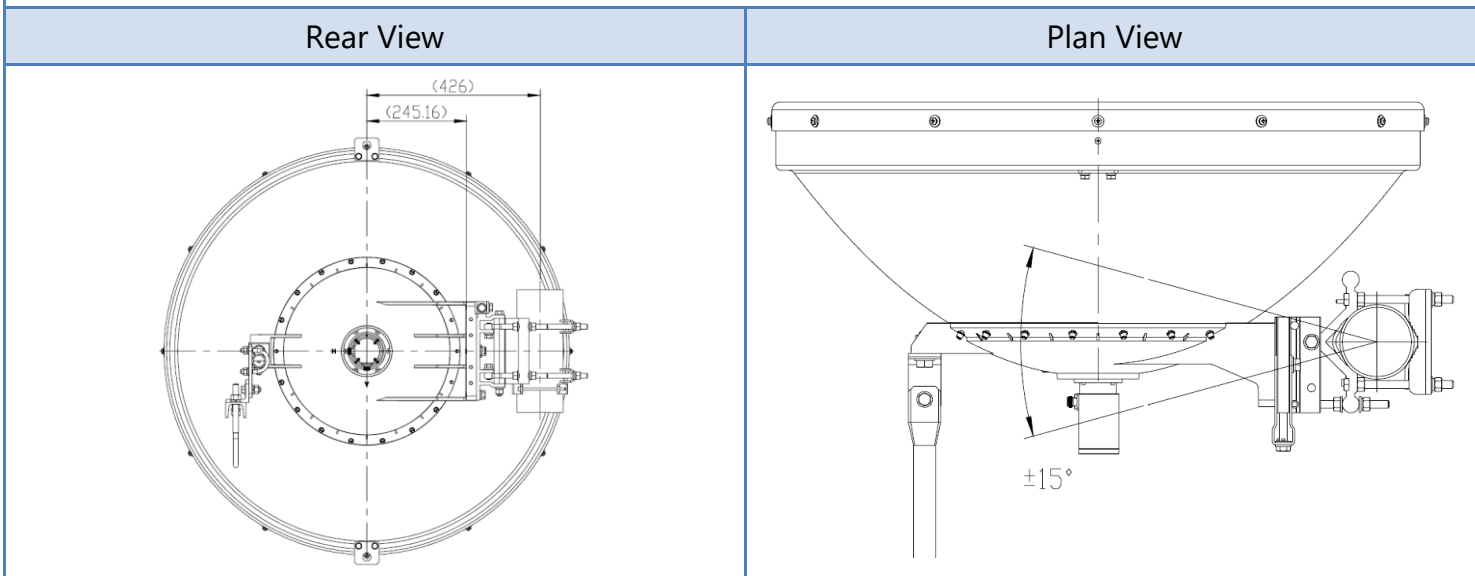
Electrical Specifications		
Frequency Range:	5250-5850MHz	
Input Impedance:	50Ω	
VSWR:	<1.5:1	
Polarisation:	V & H	
Vertical Beamwidth:	4° (± 1°)	
Horizontal Beamwidth:	4° (± 1°)	
Front to Back Ratio:	>52dB	
XPD Discrimination:	>30dB	
Port Isolation	>35dB	
PIM IMD (3rd Order):	N/A	
Radiation:	Directional	
Compliance:	ETSI EN 302 217-4-2 Range 1 Class 2	
Radiation Patterns	Vertical Polarity	Horizontal Polarity
Co Pol (5850MHz):		
Cross Pol (5850MHz):		

Test Item	Technical Requirement	Unit	Tested Frequency	Result	
				V	H
Frequency Range	5250-5850	MHz	Whole frequency band	5250-5850	
3dB Beamwidth	4 (± 1)	°	5250MHz	9.28	9.96
			5550MHz	8.44	9.93
			5850MHz	7.79	9.31
VSWR	<1.5:1	-	-	1.78	1.59
Front to Back Ratio	≥35	dB	5250MHz	52.60	52.59
			5550MHz	52.38	52.76
			5850MHz	52.72	52.69
XPD	>30	dB	5250MHz	41.57	38.91
			5550MHz	30.83	35.70
			5850MHz	30.81	34.03
Gain	31	dBi	5250MHz	30.96	30.94
			5550MHz	31.44	31.38
			5850MHz	31.94	31.86

Mechanical/Environmental Specifications

Construction:	ABS Radome, One-Piece Aluminium Reflector, Aluminium Bracket, Galvanised U-Bolts		
Cable:	none		
Connector:	2x N-Type Female (Low-PIM White Bronze)		
Operational Wind Rating:	162km/hr		
Survival Wind Rating:	250km/hr		
Wind Forces @ Survival:	FA: 2980N	FS: 1470N	MT: 1305Nm
Operational Temperature:	-45°C +75°C		
Ice-Load:	25.4mm		
Weight:	24.9kg		
Weight with Ice:	59.2kg		
Dimensions:	996.2 x 996.2 x 550mm (L x H x D) – Incl Strut 1883.42mm		
Mounting	114mm Ø pole		

CAD Drawing



Document Control: TA-SS-XFIRE-31DP-5800\_rev1

Revision Date: 07/06/2016

Telco Antennas makes no warranty on the completeness or accuracy of this document. For all enquiries related to this document please contact our Australian sales office by email [sales@telcoantennas.com.au](mailto:sales@telcoantennas.com.au)