

SKU: XFIRE-32DP-5800**Telco XFIRE 32-33dBi Ultra High Performance Solid Dish - 5.25-5.85GHz**

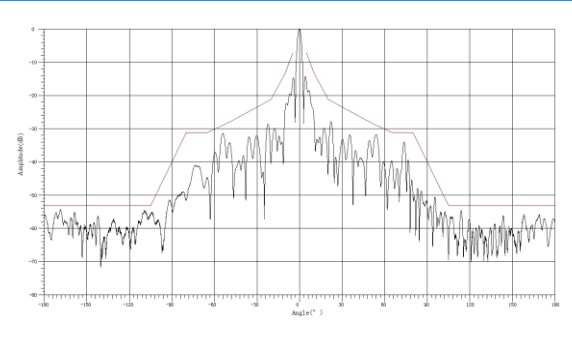
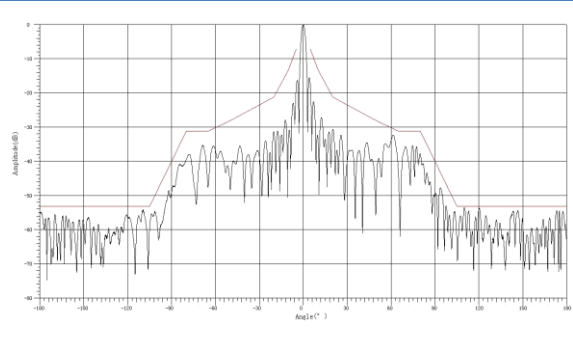
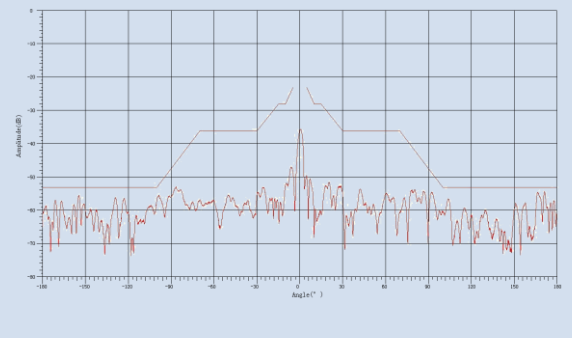
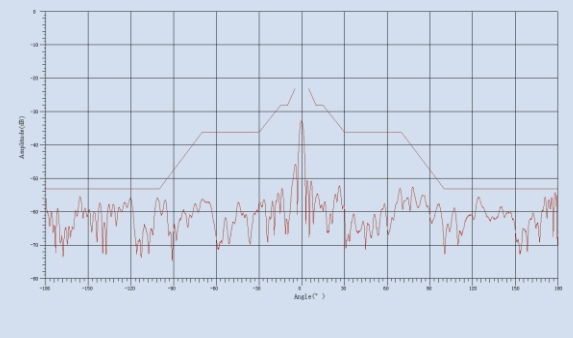
- Dual-polarised antenna feed w/ high XPD
- ETSI Range 2 Class 2
- Carrier grade aluminium alloy construction
- 1.2m (4ft) single reflector dish
- Inbuilt ABS radome
- 10° fine az/el adjustment
- Extreme 54dB F/B ratio
- Critical backbone/backhaul
- Ideal for remote long range links.



This is an ultra-high performance 1.2m (4ft) 5GHz microwave dish, designed for high capacity fixed radio systems requiring ETSI Class 2 (high interference potential) compliance.

Having an ultra-tight V&H beamwidth and an unparalleled >54dB F/B ratio gives this antenna an incredible degree of noise immunity from nearby hostile interferers and collocated transmitters. This very high gain dish is designed for long range links (25-70km), and medium-long range links operating in high interference potential environments such as across metropolitan areas.

See below for electrical & mechanical specification data.

Electrical Specifications		
Frequency Range:	5250-5850MHz	
Input Impedance:	50Ω	
VSWR:	<1.5:1	
Polarisation:	V & H	
Vertical Beamwidth:	2.9° (± 0.5°)	
Horizontal Beamwidth:	2.9° (± 0.5°)	
Front to Back Ratio:	>54dB	
XPD Discrimination:	>30dB	
Port Isolation	>35dB	
PIM IMD (3rd Order):	N/A	
Radiation:	Directional	
Compliance:	ETSI EN 302 217-4-2 Range 2 Class 2	
Radiation Patterns	Vertical Polarity	Horizontal Polarity
Co Pol (5850MHz):		
Cross Pol (5850MHz):		

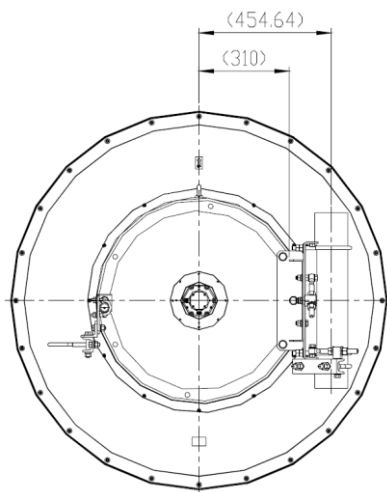
Test Item	Technical Requirement	Unit	Tested Frequency	Result	
				V	H
Frequency Range	5250-5850	MHz	Whole frequency band	5250-5850	
3dB Beamwidth	2.9 (± 0.5)	°	5250MHz	3.02	3.06
			5550MHz	2.77	2.93
			5850MHz	2.63	2.64
VSWR	<1.5:1	-	-	1.40	1.41
Front to Back Ratio	≥35	dB	5250MHz	55.23	54.39
			5550MHz	54.75	55.22
			5850MHz	54.36	54.41
XPD	>30	dB	5250MHz	33.22	32.49
			5550MHz	37.57	37.39
			5850MHz	35.71	32.65
Gain	33	dBi	5250MHz	32.78	32.70
			5550MHz	33.20	33.11
			5850MHz	33.45	33.41

Mechanical/Environmental Specifications

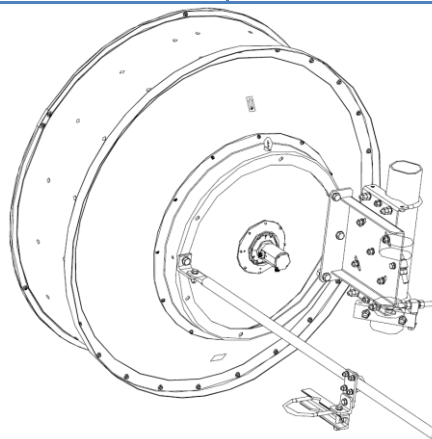
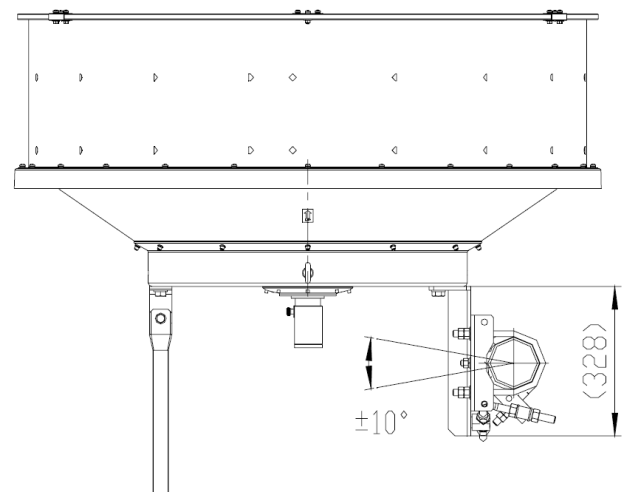
Construction:	ABS Drum Radome, One-Piece Aluminium Reflector, Aluminium Bracket, Galvanised U-Bolts		
Cable:	none		
Connector:	2x N-Type Female (Low-PIM White Bronze)		
Operational Wind Rating:	198km/hr		
Survival Wind Rating:	250km/hr		
Wind Forces @ Survival:	FA: 4492N	FS: 2217N	MT: 2044Nm
Operational Temperature:	-45°C +70°C		
Ice-Load:	25.4mm		
Weight:	43kg		
Weight with Ice:	125kg		
Dimensions:	1283.25 x 1283.25 x 766.34mm (L x H x D) – Incl Strut - 2138.34mm		
Mounting	114mm Ø pole		

CAD Drawing

Rear View



Plan View



Document Control: TA-SS-XFIRE-32DP-5800_rev1

Revision Date: 06/06/2016

Telco Antennas makes no warranty on the completeness or accuracy of this document. For all enquiries related to this document please contact our Australian sales office by email sales@telcoantennas.com.au