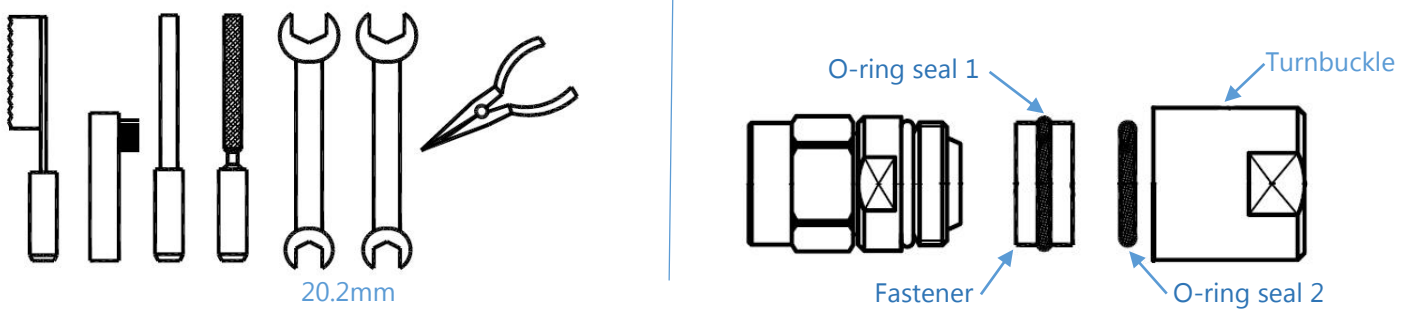




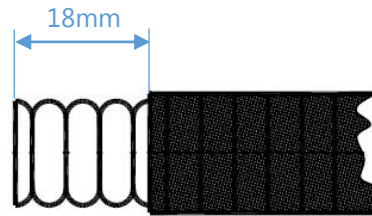
0.5 Inch Coaxial Cable N Male Connector
Installation Guide

Tools and Components Required.



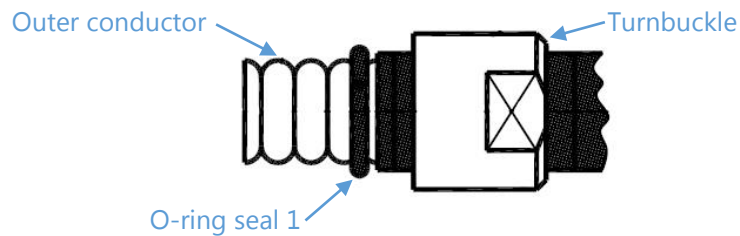
Step 1.

Cut around the jacket of the cable with a 0.5 inch wire stripper or other tools according to the size shown in below figure, and then slit to peel off the jacket.



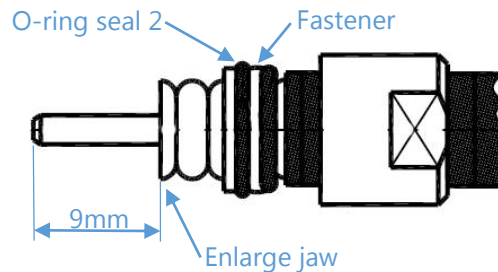
Step 2.

Put the rubber washer and turnbuckle onto the outer conductor, spread the seal and fasten tightly as shown in below figure.



Step 3.

As shown in below figure, cut off outer conductor until the turnbuckle and expose the pin of the cable, enlarge the jaws, level up the ripple tube, finish the pin, fall the cable to 0.5 x 45°, brush off any burrs and copper scales.



Step 4.

As per the below figure, put the pin or socket on and fasten very tightly using a spanner.

