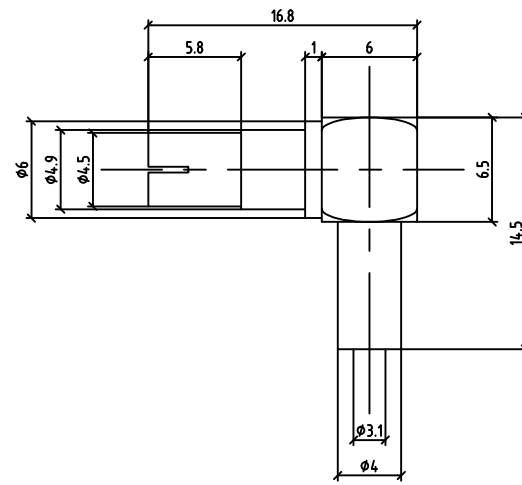


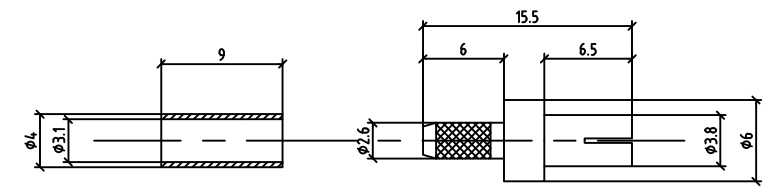
CRC9 - RIGHT ANGLE PLUG

COMPONENT	MATERIAL	PLATING
CONTACT SOCKET	PHOSPHOR BRONZE	GOLD
SHELL / BODY	BRASS	NICKEL
CRIMP FERRULE	BRASS	NICKEL
INSULATOR	TEFLON	



MS147 - RIGHT ANGLE PLUG

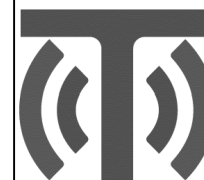
COMPONENT	MATERIAL	PLATING
CONTACT SOCKET	PHOSPHOR BRONZE	GOLD
SHELL / BODY	BRASS	NICKEL
CRIMP FERRULE	BRASS	NICKEL
INSULATOR	TEFLON	



TS9 - STRAIGHT PLUG

COMPONENT	MATERIAL	PLATING
CONTACT SOCKET	PHOSPHOR BRONZE	GOLD
SHELL / BODY	BRASS	NICKEL
CRIMP FERRULE	BRASS	NICKEL
INSULATOR	TEFLON	

GENERAL NOTES:
ALL DIMENSIONS ARE IN MM UNLESS NOTED OTHERWISE



SCALE: DRAWING
NOT TO SCALE

DO NOT SCALE
IF IN DOUBT ASK

DWN: RO CHK: DP

REV	DESCRIPTION	BY	DATE
A	ISSUED	RO	01.08.13

PROJECT	TELCO ANTENNAS
TITLE	CRIMP PLUG
DRG. No.	TA-CP-VP01
REV. A	