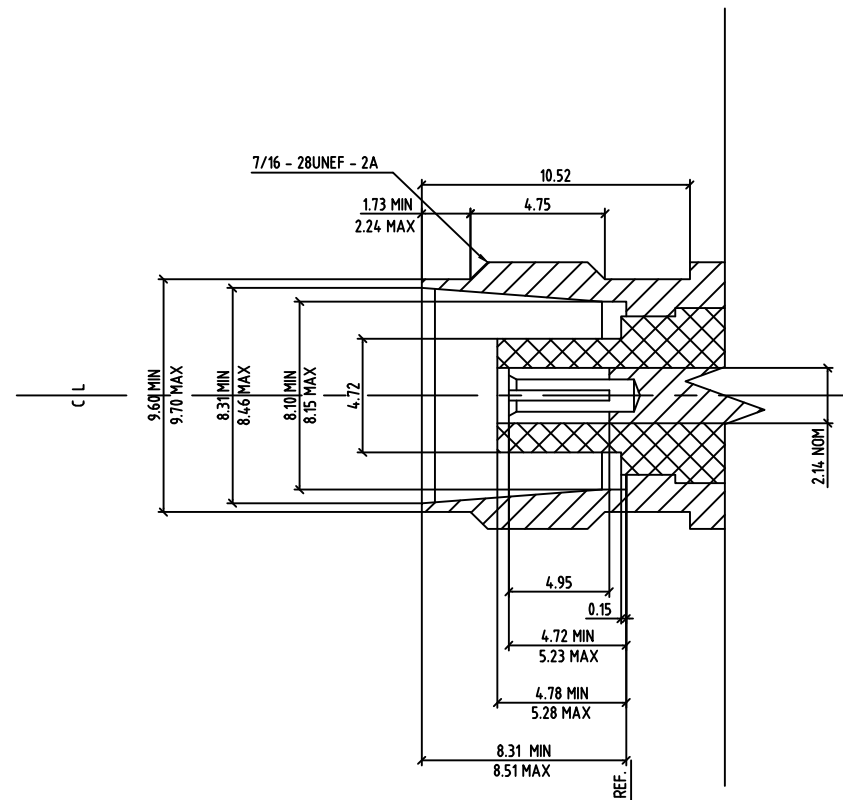


MALE TNC CONNECTOR



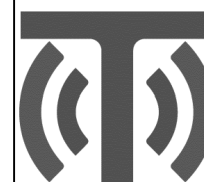
FEMALE TNC CONNECTOR

TECHNICAL CHARACTERISTICS

TEMPERATURE RANGE	-55°C ~ +155°C
VIBRATION	150m/s <sup>2</sup> (10-2000Hz) 15g
IMPEDANCE	50 Ω
FREQUENCY RANGE	DC ~ 11GHz
WORKING VOLTAGE	500V R.M.S. AT SEA LEVEL
WITHSTANDING VOLTAGE	1500V R.M.S. AT SEA LEVEL
CONTACT RESISTANCE - CENTRE CONTACT	< 10 M Ω
CONTACT RESISTANCE - OUTER CONTACT	< 2.5 M Ω
INSULATION RESISTANCE	> 5000 M Ω
INSERTION LOSS	< 0.20 dB
CENTRE CONDUCTOR RETENTION FORCE	> 0.57 N
VOLTAGE STANDING WAVE RATIO - STRAIGHT	< 1.22 / 3GHz
VOLTAGE STANDING WAVE RATIO - RIGHT ANGLE	< 1.30 / 3GHz
DURABILITY (MATING)	> 500 CYCLES

COMPONENT	MATERIAL	PLATING
BODY	BRASS	NICKEL
PIN CONTACT	BRASS	GOLD OR SILVER
SOCKET CONTACT	BERYLLIUM - COPPER	GOLD OR SILVER
RESILIENT CONTACT	BERYLLIUM - COPPER	GOLD
CRIMP FERRULE	COPPER ALLOY	NICKEL
O-RING SEALING	6146 SILICONE RUBBER	
INSULATOR	PTFE	

GENERAL NOTES:  
ALL DIMENSIONS ARE IN MM UNLESS NOTED OTHERWISE



SCALE: DRAWING  
NOT TO SCALE

DO NOT SCALE  
IF IN DOUBT ASK

DWN: RO    CHK: DP

A	ISSUED	RO	31.07.13
REV	DESCRIPTION	BY	DATE

PROJECT	TELCO ANTENNAS
	RF COAXIAL CONNECTORS
TITLE	TNC TECHNICAL SPECIFICATIONS
DRG. No.	TA-RC-TS04
REV.	A