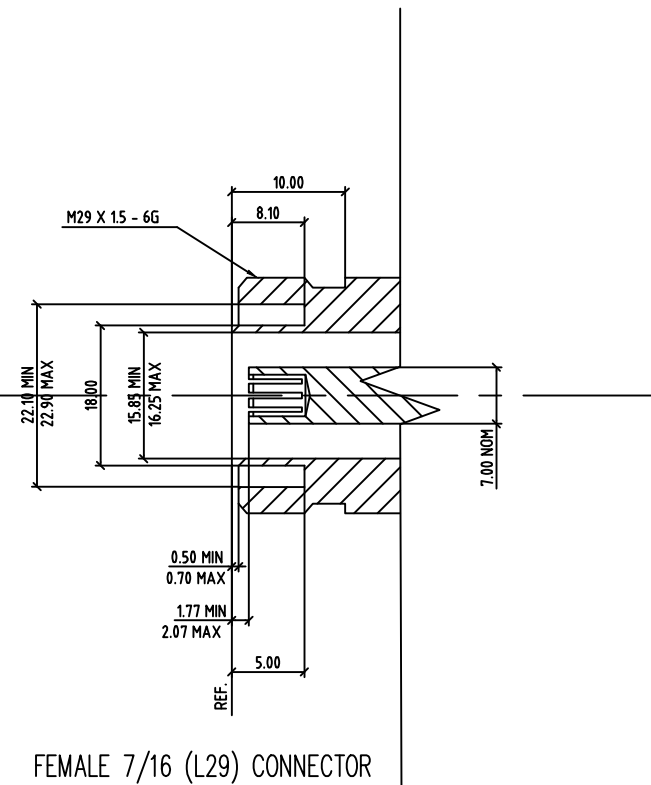


C/L

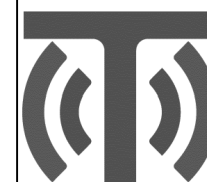


TECHNICAL CHARACTERISTICS

TEMPERATURE RANGE	-55°C ~ +155°C (PE CABLE -40°C ~ +85°C)
VIBRATION	100m/s ² (10 ~ 500Hz)
IMPEDANCE	50 Ω
FREQUENCY RANGE	DC ~ 7.5GHz
WORKING VOLTAGE	2700V R.M.S. AT SEA LEVEL
WITHSTANDING VOLTAGE	4000V R.M.S. AT SEA LEVEL
CONTACT RESISTANCE - CENTRE CONTACT	< 0.4 M Ω
CONTACT RESISTANCE - OUTER CONTACT	< 1.5 M Ω
INSULATION RESISTANCE	> 10000 M Ω
AVERAGE POWER	3kw MAX
CENTRE CONDUCTOR RETENTION FORCE	> 6 N
VOLTAGE STANDING WAVE RATIO - STRAIGHT	< 1.20 / 6GHz
VOLTAGE STANDING WAVE RATIO - RIGHT ANGLE	< 1.35 / 6GHz
DURABILITY (MATING)	> 500 CYCLES

COMPONENT	MATERIAL	PLATING
BODY	BRASS	SILVER OR CuSnZn3
PIN CONTACT	TIN BRONZE	GOLD
SOCKET CONTACT	BERYLLIUM-COPPER	GOLD
RESILIENT CONTACT	BERYLLIUM-COPPER OR TIN BRONZE	SILVER OR CuSnZn3
CRIMP FERRULE	COPPER ALLOY	GOLD
O-RING SEALING	6146 SILICONE RUBBER	
INSULATOR	PTFE	

GENERAL NOTES:
ALL DIMENSIONS ARE IN MM UNLESS NOTED OTHERWISE



SCALE: DRAWING
NOT TO SCALE

DO NOT SCALE
IF IN DOUBT ASK

DWN: RO CHK: DP

A	ISSUED	RO	07.08.13
REV	DESCRIPTION	BY	DATE

PROJECT	TELCO ANTENNAS
	RF COAXIAL CONNECTORS
TITLE	7/16 (L29) TECHNICAL SPECIFICATIONS
DRG. No.	TA-RC-TS08
REV.	A